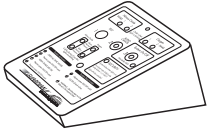
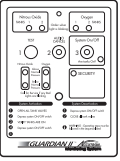


Central System Schematic



Wall Mount Office Control Panel



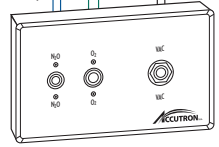
Desk Mount Office Control Panel

Outlet Stations

N₂O Pipeline Copper 3/8" O.D.

O₂ Pipeline Copper 1/2" O.D.

To Vac. Pipeline Copper 1/2" O.D.

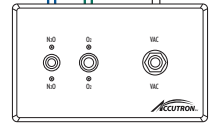


Surface Quick Connect Triple Outlet

O₂ Pipeline Copper 1/2" O.D.

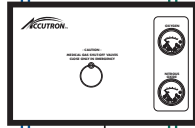
N₂O Pipeline Copper 3/8" O.D.

To Vac. Pipeline Copper 1/2" O.D.



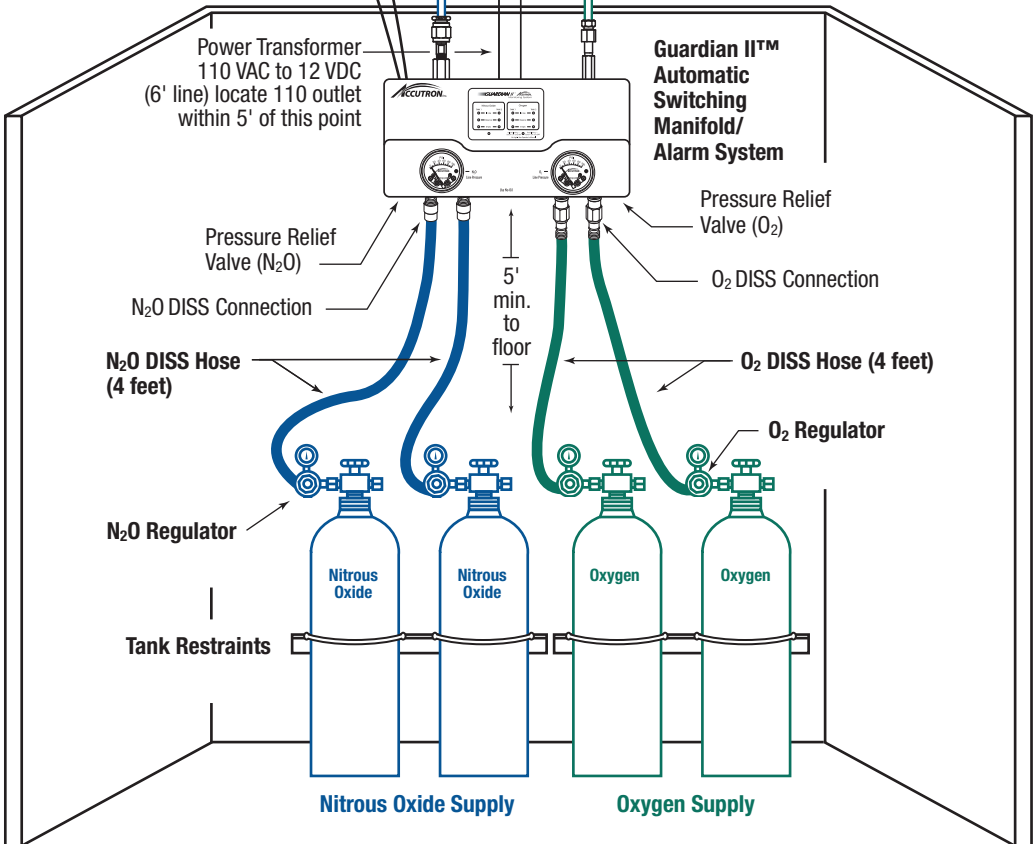
Recessed Quick Connect Triple Outlet

Zone Valve



Dental Office Area

Treatment Area



Toll-free: 800-531-2221 • 623-780-2020 • Fax: 623-780-0444

1733 W. Parkside Lane • Phoenix, AZ 85027