

LOOKING FOR THE EFFECTIVE SOLUTION FOR AMALGAM SEPARATION IN YOUR PRACTICE?



ECO II

AMALGAM SEPARATOR

METASYS Group presents the ECO II, the newest generation of amalgam separators, designed with dentists needs in mind and incorporating superior features – high efficiency, dependability and zero maintenance.

ECO II is innovative in its entire concept. ECO II is the achievement of focused research and engineering from the world leading manufacturer METASYS Group.

INNOVATIVE

ECO II connects longstanding experience, progressive know-how and a creative spirit to providing the optimal problem solution for the dental office.

EFFICIENT

ECO II has highly efficient capabilities and a high separation rate of 99.5%. It is silent and inconspicuous. You will not know it's there! The simple installation procedure enables quick and cost-saving assembly. Recurring operational costs, maintenance and service are eliminated. The ECO II has no electrical switching systems.

ISO 11143 CERTIFIED

ECO II fulfills the worldwide standard ISO 11143 which matches the highest quality standards in international legislature and regulations. The separation rate of the ECO II amalgam separator is certified by independent testing at 99.5%.

Most States in Australia use the ISO standard as a prerequisite for the amalgam separators they accept for installation.

NO MOVING PARTS!

Simply exchange the canister annually

The waste is processed by all approved facilities

Cost effective & environmentally friendly

From only: \$1320.00 (incl GST)*

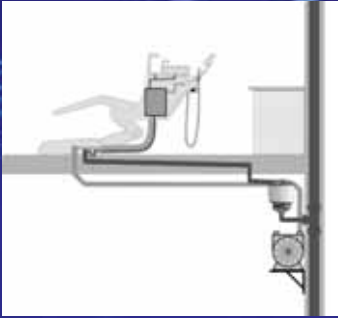
*plus installation * for surgeries with 1-2 operatories*



EASY TO INSTALL

Designed for connection to all existing suction types

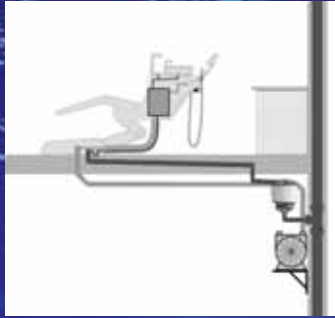
DRY SUCTION



Eco II is connected to the waste line downstream from the dental unit.

Dry Suction means dental units with integrated separators like Metasys MST1, Cattani® Mini Canister & Dürr® Sepmatic

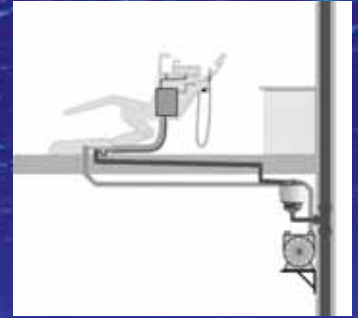
SEMI-WET SUCTION



Eco II is connected to the waste line after the central suction unit.

Semi-wet means centralised units like Metasys Excom, Cattani TurboJet®/ TurboSmart® & Dürr® VS models

WET SUCTION



Eco II is connected just before the wet suction unit.

Wet suction means centralised US-style liquid ring pumps like Apollo®, Techwest® and Dent-al-Ez® brands

WHY IS AMALGAM RETENTION IMPORTANT FOR DENTAL SURGERIES ?

“The mercury contained in one amalgam tooth filling is enough to pollute 30,000 litres of water beyond a safe level of drinking”

Recent Studies show that an average dental surgery produces about 1 to 1.3 kg of Amalgam waste per year. If the chair is not fitted with an Amalgam Separator, all Amalgam waste is discharged into the waste water, generating more than 13,000 kg /PA of Mercury Amalgam pollution in Trade Waste Water, Australia wide.

The potential high amount of mercury contained in dental waste from dental surgeries is now being recognised as a serious environmental threat by local Authorities and Water Boards.

ISO standard 11143 requires a minimum 95% amalgam waste being retained and correctly disposed of by the dental surgery.

In addition, the 1999 NHMRC National Guidelines for Waste Management states that *“Dental Practitioners must install amalgam separators, capable of 95% separation”*



Want to know more?

Contact us or go to www.ecotwo.com for more details.

Australian representative for Metasys products:



CENTRALISED SUCTION

AMALGAM SEPARATORS

SUCTION SEPARATORS

SURGERY HYGIENE