



## Introducing: Accutron's Remote Flow System

### Manage & Control at Centralized Location

Offers convenient access to both gas management (i.e., monitoring patient inhalation) and vacuum system controls from a single, convenient location.

### Streamlined Mount

The Remote Flow System's housing can be mounted flush with cabinetry, maintaining an esthetic office design.

### Optional Mount Selections

Choose from three mount configurations – Flush Panel Mount, Under Shelf Mount or Sliding Bracket Mount.

### Ergonomic Design

Allows operator to monitor 3-liter bag and manage vacuum controls without changing position.

### Detachable Gas/Vac Components

Accutron's uniquely designed Remote Flow System optimizes precious cabinet space by eliminating the need for an N<sub>2</sub>O-O<sub>2</sub>-Vac components compartment. More cabinet space is now available for a CPU or other office equipment and supplies.

### Quick Disconnect: Easy Disinfect

Bagtee with rubber goods and vacuum control unit can be quickly and easily detached for cleaning and disinfecting, then stored in an out-of-sight, uncontaminated area. This keeps the field of operation free of clutter and minimizes the potential for cross-contamination.



Ultra PC™ % Cabinet Mount Flowmeter



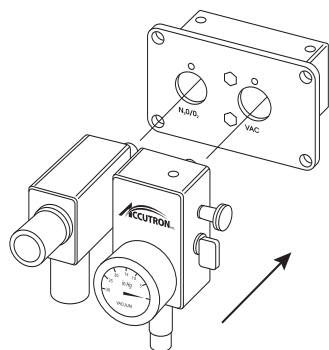
Digital Ultra™ Flowmeter

A Remote Flow System can be used with both the Ultra PC™ % Cabinet Mount Flowmeter and the Digital Ultra™.



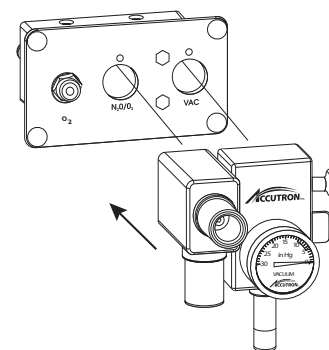
## Accutron... The Industry Leader in Advanced Flowmeter Technology & Design.

# Features of the Detachable Remote Flow System:



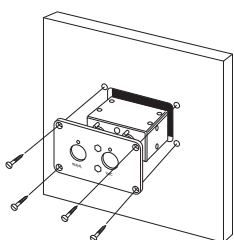
RFS for Standard Flowmeter

- Detachable Gas/Vac Components
- Quick Disconnect: Easy Disinfect
- Ergonomic Design
- Manage & Control at Centralized Location
- Streamlined Mount
- Optional Mount Selections

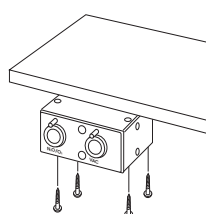


RFS for Digital Flowmeter

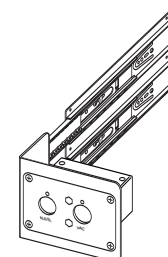
## Versatile design allows for a wide range of mount options:



Flush Panel Mount



Under Shelf Mount



Sliding Bracket Mount

### REMOTE FLOW SYSTEM (RFS) ORDERING INFORMATION

Order No.	Product Description	
36800	<b>Ultra PC %™ Cabinet Mount Pkg. I (with Remote Flow System)</b> Includes: Ultra PC % Cabinet Mount Flowmeter, Mounting Hardware, Remote Flow System, RFS Flush Panel Mount Faceplate and RFS Scavenging Circuit II	\$4,400
56800	<b>Digital Ultra™ Pkg. H (with Remote Flow System)</b> Includes: Digital Ultra Flowmeter, Mounting Hardware, Remote Flow System, RFS Flush Panel Mount Faceplate, RFS Scavenging Circuit II	\$4,999
36855	<b>Remote Flow System S (RFS-S) for Accutron Standard Flowmeters</b> Includes Remote Flow System S and RFS Flush Panel Mount Faceplate (requires the use of RFS Scavenging Circuit; purchase RFS Scavenging Circuit I or II separately)	\$750
56855	<b>Remote Flow System D (RFS-D) for Accutron Digital Flowmeters</b> Includes Remote Flow System D and RFS Flush Panel Mount Faceplate (requires the use of RFS Scavenging Circuit; purchase RFS Scavenging Circuit I or II separately)	\$750
32014	<b>Sliding Bracket Mount for Remote Flow System S (standard flowmeters)</b> Sliding bracket for optional mounting of Remote Flow System S	\$390
32018	<b>Sliding Bracket Mount for Remote Flow System D (digital flowmeters)</b> Sliding bracket for optional mounting of Remote Flow System D	\$390
32009	<b>Scavenging Circuit II for Remote Flow System</b> Includes: Scavenging Circuit, Corrugated Tube, Reservoir Bag and complimentary sampling of single-use PIP+ Nasal Hoods	\$595
33008	<b>Scavenging Circuit I for Remote Flow System</b> Includes: Scavenging Circuit and complimentary sampling of single-use PIP+ Nasal Hoods	\$520

Note: Under Shelf Mount option - RFS is mounted under the manifold and does not require a separate part or faceplate.